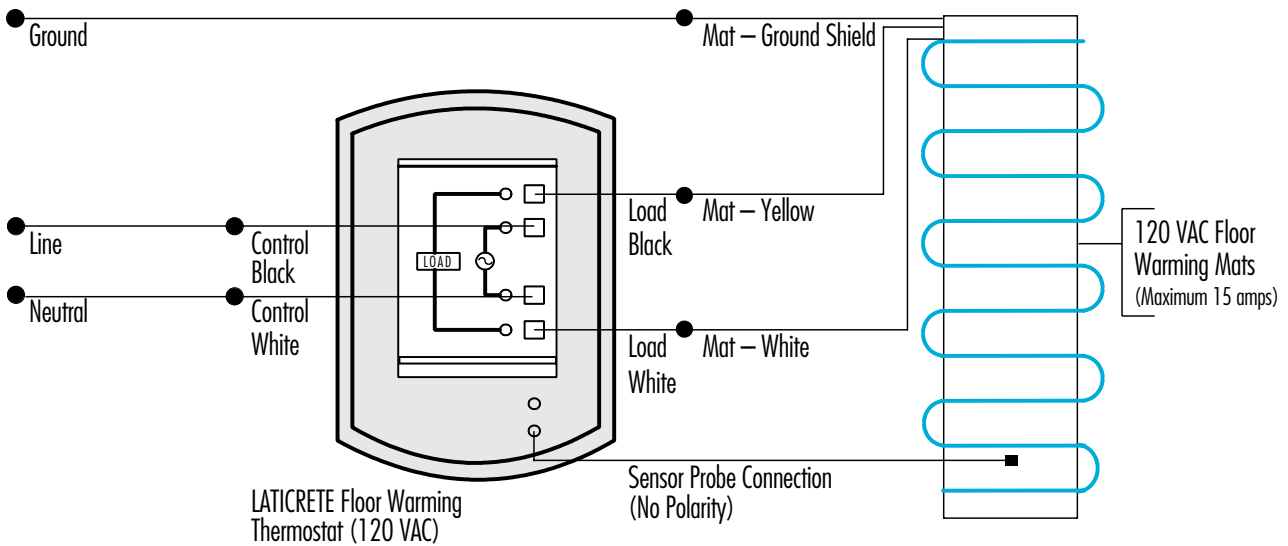




Floor Warming Wiring Schematic

LATICRETE® Floor Warming Thermostat – 120 VAC, GFCI Protected

DEDICATED 120 VAC, 20 AMP CIRCUIT



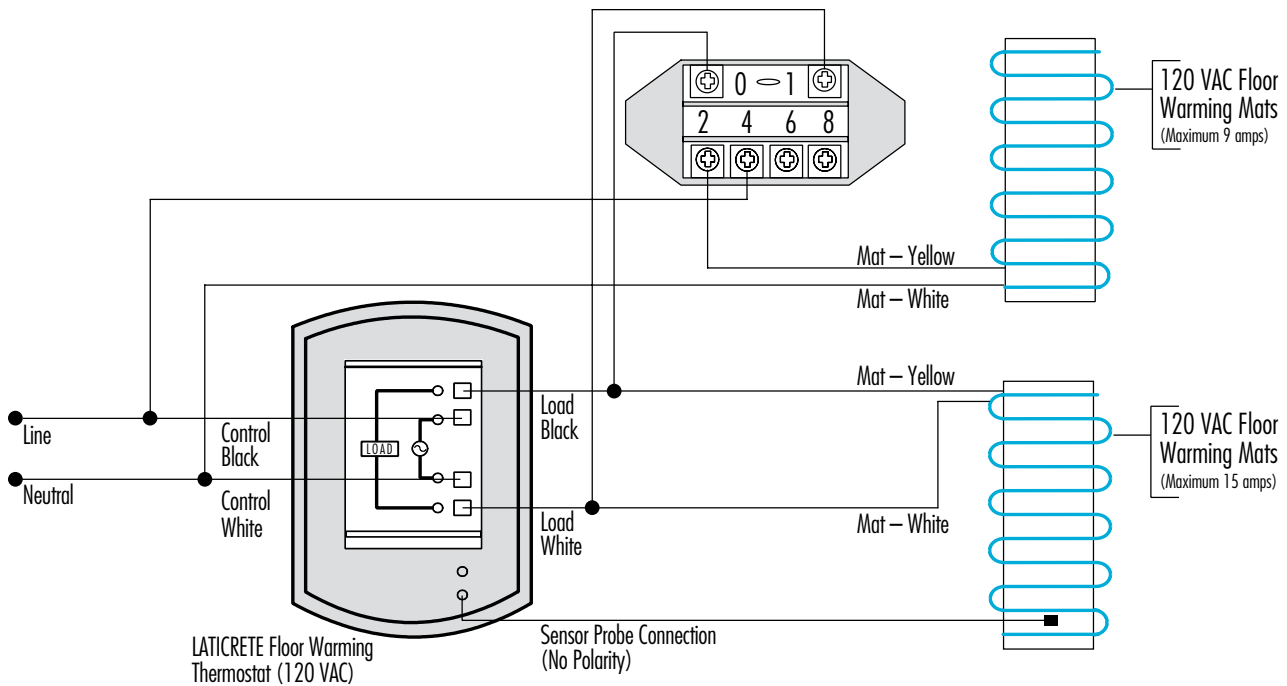


Floor Warming Wiring Schematic

LATICRETE® Floor Warming Thermostat – 120 VAC with 30 Amp Circuit and Contactor
[Omron G7L-2A-BUBJ (120 VAC)]

DEDICATED 120 VAC, 30 AMP CIRCUIT

- GFCI Required for mats powered through contactor
- Blank face GFCI if under 16 Amps
- GFCI Breaker if greater than 16 Amps



DS-605.3-0807

©2007 LATICRETE INTERNATIONAL, INC.
LATICRETE, LATAPOXY and the  Logo are Registered Trademarks of LATICRETE International, Inc.

LATICRETE International, Inc. assumes no responsibility for wiring in the field. All electrical connections must be made by a licensed electrician and comply with applicable building codes and with national and local electrical codes. Wiring methods may differ for each control. Consult manufacturer's instructions for specifications.

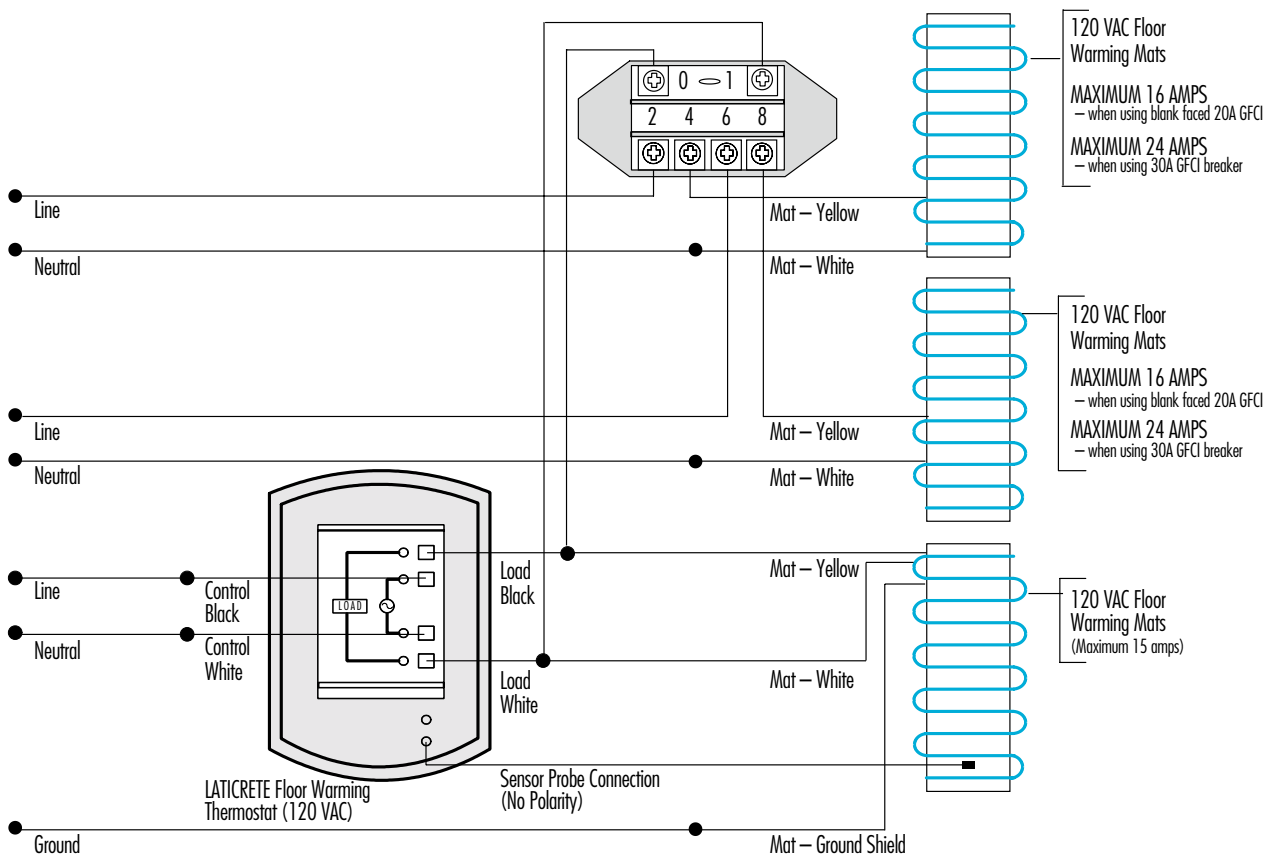


Floor Warming Wiring Schematic

LATICRETE Floor Warming Thermostat – 120 VAC and Contactor
[Omron G7L-2A-BUBJ (120 VAC)]

DEDICATED 120 VAC, 20 AMP CIRCUIT TO LATICRETE FLOOR WARMING THERMOSTAT
DEDICATED 120 VAC, 20/30 AMP CIRCUIT TO OMRON CONTACTOR

- GFCI Required for mats powered through contactor



DS-605.3-0807

©2007 LATICRETE INTERNATIONAL, INC.
 LATICRETE, LATAPOXY and the Logo are Registered Trademarks of LATICRETE International, Inc.

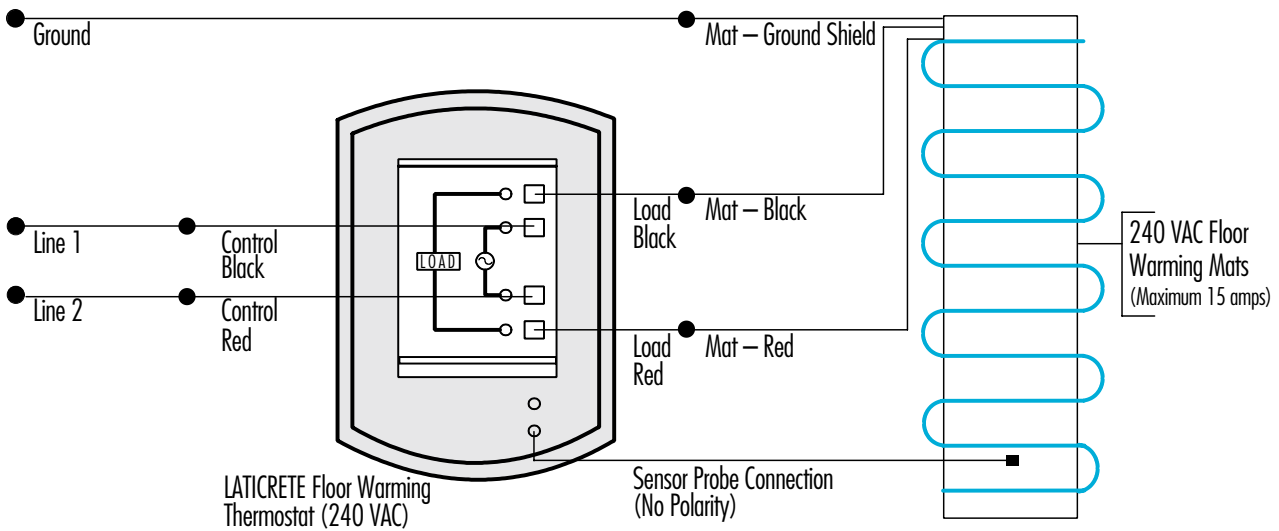
LATICRETE International, Inc. assumes no responsibility for wiring in the field. All electrical connections must be made by a licensed electrician and comply with applicable building codes and with national and local electrical codes. Wiring methods may differ for each control. Consult manufacturer's instructions for specifications.



Floor Warming Wiring Schematic

LATICRETE Floor Warming Thermostat – 240 VAC, GFCI Protected

DEDICATED 240 VAC, 20 AMP CIRCUIT



DS-605.3-0807

©2007 LATICRETE INTERNATIONAL, INC.
LATICRETE, LATAPOXY and the  Logo are Registered Trademarks of LATICRETE International, Inc.

LATICRETE International, Inc. assumes no responsibility for wiring in the field. All electrical connections must be made by a licensed electrician and comply with applicable building codes and with national and local electrical codes. Wiring methods may differ for each control. Consult manufacturer's instructions for specifications.

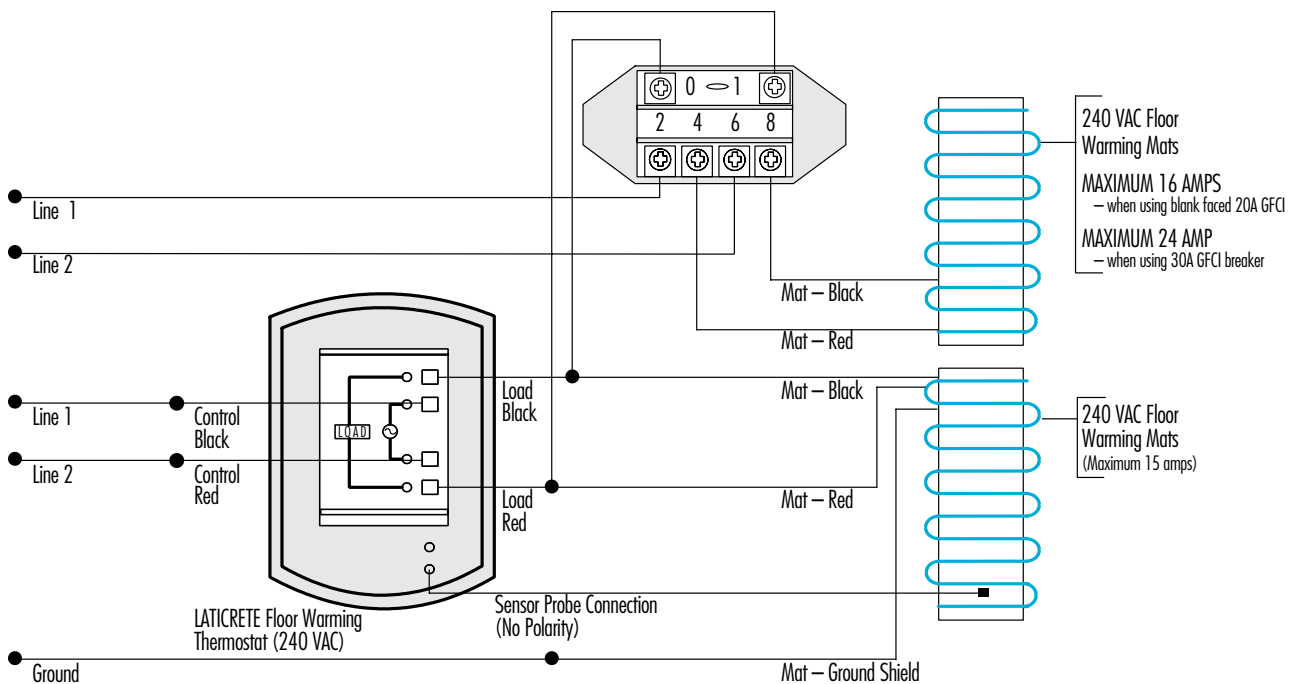


Floor Warming Wiring Schematic

LATICRETE Floor Warming Thermostat – 240 VAC and Contactor
[Omron G7L-2A-BUBJ (240 VAC)]

DEDICATED 240 VAC, 20 AMP CIRCUIT TO LATICRETE FLOOR WARMING THERMOSTAT
DEDICATED 240 VAC, 20/30 AMP CURCUIT TO OMRON CONTACTOR

- GFCI Required for mats powered through contactor



DS-605.3-0807

©2007 LATICRETE INTERNATIONAL, INC.
 LATICRETE, LATAPOXY and the Logo are Registered Trademarks of LATICRETE International, Inc.

LATICRETE International, Inc. assumes no responsibility for wiring in the field. All electrical connections must be made by a licensed electrician and comply with applicable building codes and with national and local electrical codes. Wiring methods may differ for each control. Consult manufacturer's instructions for specifications.